

**Please Note:**

- (1) Orders under \$50.00 will have a \$10.00 handling charge.
- (2) Sample Kits \$22.00 (no handling charge).
- (3) Restocking Charge 15%
- (4) \$2.00 (per box) fee for double packing, applicable to UPS shipping of turntables only.
- (5) W.K. Hillquist has a 30-day return policy (with the exception of turntables).
- (6) Materials shipped F.O.B. (Freight on Board) Hudson, NH.
- (7) Standard colors are black, white, and clear, except where noted in materials.
- (8) For Bonding/gluing information, call 3M Products at 1-800-362-3550.
- (9) For quantities greater than listed in the catalog, please call for pricing.
- (10) Minimum orders for hooks are 1,000 pieces.
- (11) Turntables are sold by the case. We cannot break cases for smaller quantities.
- (12) Sample kits are also available with Turntables only for \$15.00 (no handling charge).

Thank you for the opportunity to tell you about W.K Hillquist, Inc.

Established in 1969 as a custom plastic injection molding company, we offer technical aid from assisting with part design to production of the finished product.

Our Mold Making Shop is equipped with the latest technical machinery and experienced personnel, enabling us to produce complex molds to precision tolerances. The Molding Operation consists of new micro processor controlled injection molding machines ranging from 6 to 450 tons. We are able to produce high quality parts sub-miniature to 38 ounces. Mold design, Mold Making, & Molding are all performed at our Hudson plant, cutting lead-time down considerably.

We sincerely hope that you will consider W.K. Hillquist, Inc. for the best in molds and plastic parts of the highest quality.

Please call us for more information or assistance.

Sincerely yours,

*Warren K. Hillquist*

W.K. Hillquist, Inc.



Tel: 603.595.7790 Fax: 603.595.1451

Thank you for considering W.K. Hillquist, Inc. as your #1 display component supplier.

I would like to take this opportunity to introduce myself to our many valued customers. My name is Richard W. Wedge. I have been working here at W.K. Hillquist for over 20 years; promoted to Sales Manager in 1996 and now to my current position as General Manager in 2011. My main objective is to be readily available to the customer for technical questions or ideas concerning our product line. This is our seventh catalog. We genuinely want to hear what new products you want us to carry to produce your display line. If you currently buy from Hillquist and purchase some items elsewhere, let us know what the items are and we will do everything reasonably possible to locate or produce these items here, so we may become your complete source for display components. I intend on focusing my efforts towards expanding our catalog even further by working with each customer on a one-to-one basis, to produce new and innovative products.

I want to personally thank our loyal customers for your continued support. I hope that we can be a part of your future success in the modern display industry. I welcome the opportunity to work with you, answer and discuss your questions, and quote any new items you may need.

Please review Volume 7 and call for additional information or samples.

Sincerely yours,

Richard W. Wedge  
General Manager



Tel: 603.595.7790 Fax: 603.595.1451

## INDEX

### **PAGE#**    **TURNTABLES**

#### **Turntable Price List**

- 1 3 Inch Turntable
- 2 4 Inch Turntable
- 3 5 ½" Inch Turntable
- 4 9 Inch Turntable
- 5 12 Inch Turntable
- 6 T12X9 Sloping Base Turntable
- 7 T9X14 Inch Turntable
- 8 T66 Black 5 ½ Inch Turntable w/sq. base

### **HOOKS**

- 9 1 ½" Top Rib – Pegboard Hook
- 10 Glue-on Hooks (Round)
- 11,12 Glue-on Hooks (Flat)
- 13 Top Rib Glue-On Hooks
- 14 Serrated Hooks
- 15 Ribbed Clip Hooks
- 16 Clip Hooks
- 17 Round Clip Hooks
- 18 Flat Clip Hooks
- 19 Corrugated Hook
- 20 Corrugated P-Snap Hooks
- 21 Slat wall Hooks
- 22 Custom Slatwall Hooks
- 23 Snap-in Hooks
- 24 3" Sunglass Hooks
- 25 New Pegboard Style Back/back Hooks
- 26 Slatwall Hook Holders
- 27 Round Hook Holders
- 28 Flat Hook Holders

### **PAGE#**    **JEWELRY COMPONENTS**

- 29 8 Hook Unit
- 30 Necklace Holder
- 31 Bracelet Holder
- 32 Earring card Hanger
- 33 Earring card ladders & 3" x 3" earring card Ladders
- 34 Ladder Holder
- 35 Ladder cleats
- 36 Jewelry Component Assembly Suggestions

### **OPTICAL COMPONENTS**

- 37 Nose Piece
- 38,39 Universal Eyeglass Holders

### **MISCELLANEOUS COMPONENTS**

- 40 Injection Molded J-Bars
- 41 Plastic Hinge
- 42 Wall Hanger
- 43 Keyhole Attachment
- 44 Wire Bracket
- 45 Pegboard/Slatwall Backplate
- 46 Slatwall Bracket
- 47 Product Liability Notice
- 48 Breakage Policy Notice
- 49 COD Policy Notice

# Turntable Per Piece Price List

	3" diameter top & base x 9/16" thick	4 1/4" diameter top & base x 9/16" thick	4 1/4" diameter top & base x 9/16" thick	5 1/2" diameter top with 5/8" square base x 9/16" thick	5 1/2" diameter top & base x 9/16" thick	5 1/2" diameter top with 9" base x 3/4" thick	diameter slopin g base with 4 1/4" round top x 1"	9" diameter top & base x 9/16" thick	er top base x 9/16" thick	12" diameter top & base x 9/16" thick	1 1/2" diameter slopin g base with 9" round top x 3/4" thick	14" diameter top with 9" base
<b>Description</b>	<b>T33</b>	<b>T44</b>	<b>T45</b>	<b>T65</b>	<b>T66</b>	<b>T69</b>	<b>T74</b>	<b>T99</b>	<b>T99C</b>	<b>T12</b>	<b>T12x9</b>	<b>T9x14</b>
Pieces per case	100	200	100	100	100	40	60	50	50	25	25	25
Weight per case	11 lbs	40 lbs	28 lbs	33 lbs	33 lbs	24 lbs	20 lbs	35 lbs	35 lbs	36 lbs	30 lbs	34 lbs
Double packed	14 lbs	42 lbs	31 lbs	35 lbs	35 lbs	26 lbs	23 lbs	37 lbs	37 lbs	N/a	N/a	N/a
<b>Quantities:</b>												
Min. per case:	-	-	-	-	-	\$1.73	\$1.33	\$2.59	\$3.32	\$5.57	\$3.73	\$5.57
100	\$0.65	-	\$0.85	\$1.12	\$1.16	\$1.73	\$1.33	\$2.25	\$3.06	\$5.42	\$3.44	\$5.32
200	\$0.65	\$0.76	\$0.85	\$1.12	\$1.16	\$1.73	\$1.30	\$2.25	\$3.06	\$5.42	\$3.44	\$5.32
500	\$0.61	\$0.70	\$0.80	\$1.10	\$1.11	\$1.69	\$1.25	\$2.21	\$3.00	\$5.32	\$3.38	\$5.28
1,000	\$0.58	\$0.67	\$0.79	\$1.07	\$1.08	\$1.67	\$1.23	\$2.18	\$2.86	\$5.28	\$3.30	\$5.24
5,000	\$0.53	\$0.64	\$0.77	\$1.06	\$1.07	\$1.66	\$1.22	\$2.15	\$2.80	\$5.13	\$3.14	\$5.19
10,000	\$0.51	\$0.62	\$0.76	\$1.04	\$1.05	\$1.64	\$1.21	\$2.13	\$2.73	\$4.91	\$3.09	\$5.13
25,000	\$0.50	\$0.61	\$0.75	\$1.03	\$1.03	\$1.63	\$1.20	\$2.12	\$2.72	\$4.70	\$3.08	\$5.06

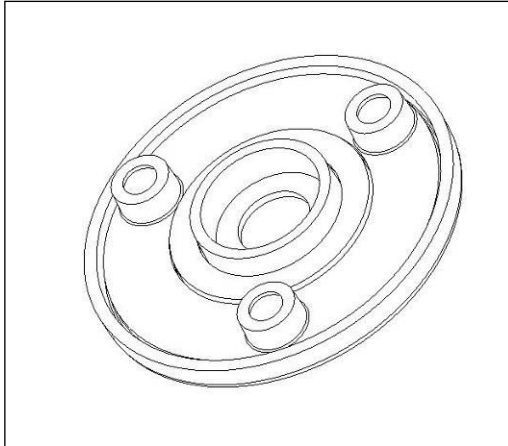
**MATERIAL: General Purpose Styrene. T99, T66 and T44 are also available in P.E.T.G. (call for pricing).**



Tel: 603.595.7790 Fax: 603.595.1451

WKH-232 (Clear)  
WKH-233 (Black)  
WKH-234 (White)

### **T33 3-INCH TURNTABLE**



<b><u>Quantity</u></b>	<b><u>Price</u></b>
100	\$0.65
500	\$0.65
1,000	\$0.61
5,000	\$0.58
10,000	\$0.53
25,000	\$0.51

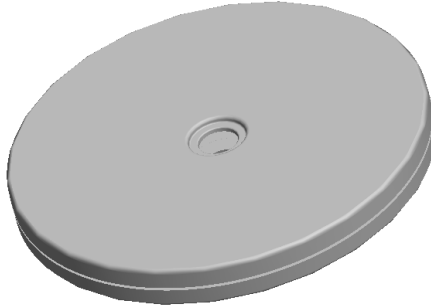
**Pieces per Case: 100**  
**MATERIAL: General Purpose Styrene**



Tel: 603.595.7790 Fax: 603.595.1451

WKH-105 (Clear)  
WKH-106 (Black)  
WKH-109 (White)

### **T44 4-INCH TURNTABLE**



<b><u>Quantity</u></b>	<b><u>Price</u></b>
200	\$0.76
600	\$0.70
1,000	\$0.67
5,000	\$0.64
10,000	\$0.62
25,000	\$0.61

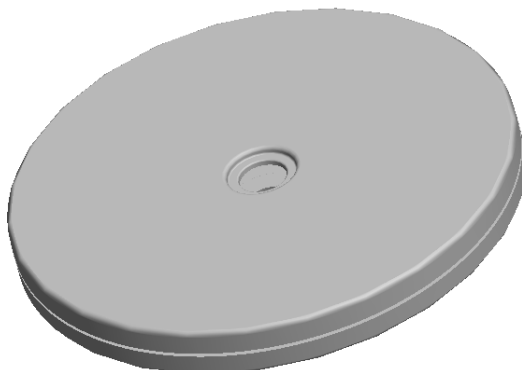
Pieces per Case: 200  
**MATERIAL: General Purpose Styrene**  
**Also available in P.E.T.G.**



Tel: 603.595.7790 Fax: 603.595.1451

WKH-112 (Clear)  
WKH-113 (Black)  
WKH-115 (White)

### **T66 6-INCH TURNTABLE**



<b><u>Quantity</u></b>	<b><u>Price</u></b>
100	\$1.16
500	\$1.11
1,000	\$1.08
5,000	\$1.07
10,000	\$1.05
25,000	\$1.03

**Pieces per Case: 100**  
**MATERIAL: General Purpose Styrene**  
**Also available in P.E.T.G.**

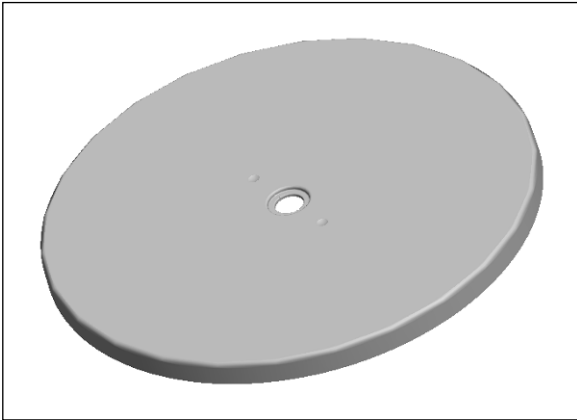


# WK HILLQUIST INC.

Tel: 603.595.7790 Fax: 603.595.1451

WKH-120 (Clear)  
WKH-121 (Black)  
WKH-123 (White)

## T99 9-INCH TURNTABLE



<u>Quantity</u>	<u>Price</u>
50	\$2.59
100	\$2.25
500	\$2.21
1,000	\$2.18
5,000	\$2.15
10,000	\$2.13
25,000	\$2.12

**Pieces per Case: 50**  
**MATERIAL: General Purpose Styrene**  
**Also available in P.E.T.G.**



Tel: 603.595.7790 Fax: 603.595.1451

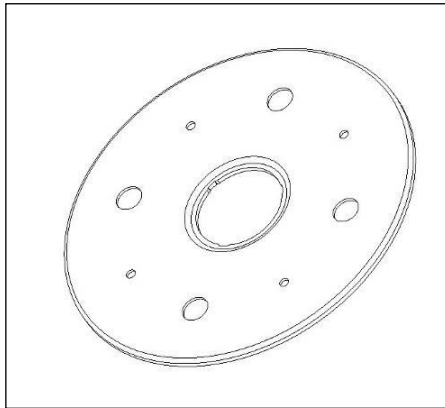
WKH-254 (Clear)

WKH-255 (Black)

WKH-256 (White)

### **T12 12-INCH TURNTABLE**

Can be screwed or bonded to any display base



<b><u>Quantity</u></b>	<b><u>Price</u></b>
25	\$5.57
100	\$5.42
500	\$5.32
1,000	\$5.28
5,000	\$5.13
10,000	\$4.91
25,000	\$4.70

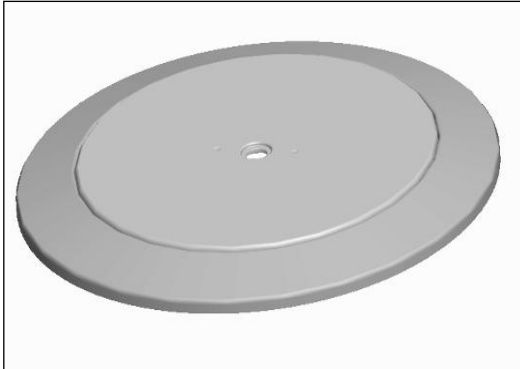
**Pieces per Case: 25**  
**MATERIAL: P.E.T.G.**



Tel: 603.595.7790 Fax: 603.595.1451

WKH-075 (Clear)  
WKH-074 (Black)  
WKH-070 (White)

### T 12X9 Sloping Base Turntables



<u>Quantity</u>	<u>Price</u>
25	\$3.73
100	\$3.44
500	\$3.39
1,000	\$3.30
5,000	\$3.14
10,000	\$3.09
25,000	\$3.08

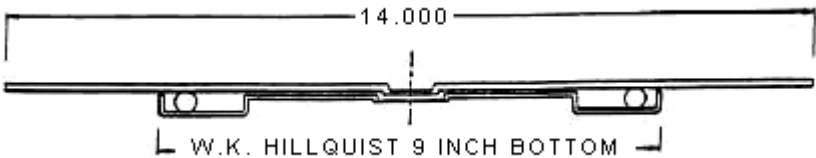
**Pieces per Case: 25**  
**MATERIAL: P.E.T.G**



Tel: 603.595.7790 Fax: 603.595.1451

WKH-193 (Clear)  
 WKH-185 (Black)  
 WKH-250 (White)

**NEW T 9" X 14" TURNTABLE**



Advantages of the New T 9 X 14 Turntables

- 1) Eliminates the need to cut 14" round disc and glue to top of an existing turntable.
- 2) Larger gluing surface for attaching displays to base.

<u>Quantity</u>	<u>BL. &amp; WH.</u> <u>H.I.P.S.</u>	<u>Clear</u> <u>P.E.T.G.</u>
25	\$4.25	\$5.57
100	\$3.96	\$5.32
500	\$3.86	\$5.28
1,000	\$3.85	\$5.24
2,500	\$3.73	\$5.19
5,000	\$3.66	\$5.13
10,000	\$3.60	\$5.06
25,000	\$3.59	\$4.98

**Pieces per Case: 25**

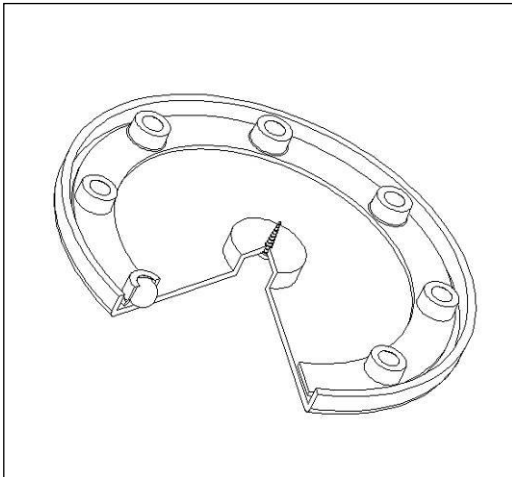
**MATERIAL: Stocked in Clear P.E.T.G**

**And Black or White High Impact Styrene**

# WK HILLQUIST INC.

Tel: 603.595.7790 Fax: 603.595.1451

## T66 Screw Top Part # WKH-191 (Black)



<u>Quantity</u>	<u>Price</u>
1,008	\$0.87
5,040	\$0.86
10,080	\$0.84
25,000	\$0.72
50,000	\$0.64
100,000	\$0.62

**Pieces per Case: 144**  
**Minimum Order of 1,008- Not a stocked Item**

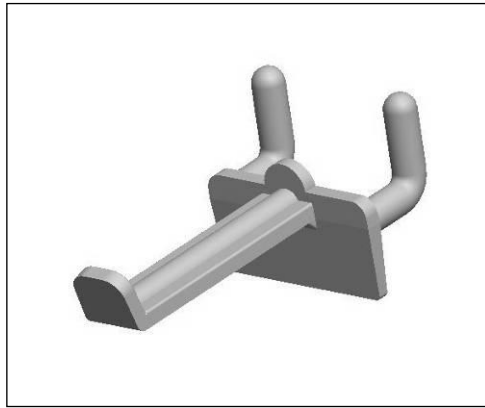
**DESCRIPTION: One center screw hole to be screwed to the bottom of your display.**

**MATERIAL: Styrene**



Tel: 603.595.7790 Fax: 603.595.1451

**1 1/2" TOP RIB – PEGBOARD HOOK  
Part # WKH-257**



**Quantity**

**Price**

1,000	\$91.96/M
5,000	\$82.28/M
10,000	\$78.65/M
50,000	\$76.23/M
100,000	\$73.81/M

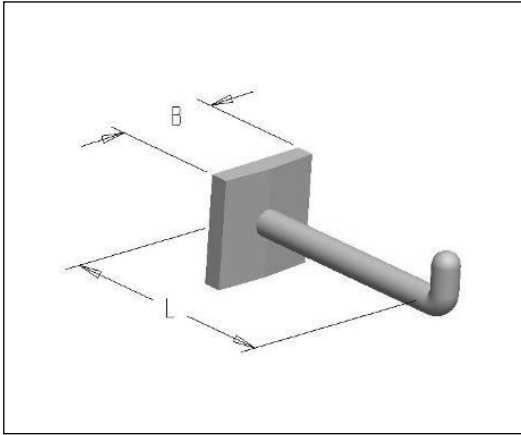
Designed to fit 2/5" Pegboard- Width of hook is 7/16"

**MATERIAL: Stocked in clear (P.E.T.G.)**

# W.K. HILLQUIST INC.

Tel: 603.595.7790 Fax: 603.595.1451

## 1/8 INCH ROUND HOOKS



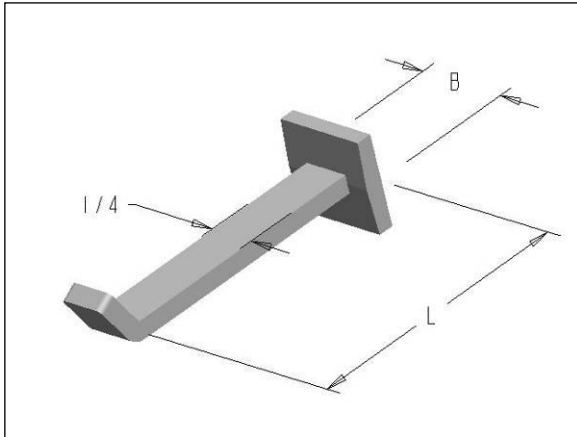
<b><u>PART #</u></b>	<b><u>LENGTH (L)</u></b>	<b><u>BASE (B)</u></b>	<b><u>9,999</u></b>	<b><u>10,000+</u></b>
WKH – 035	1/2 inch	1/2" sq.	30.91/M	27.83/M
WKH – 001	1 inch	1/2 "sq.	31.16/M	28.16/M
WKH – 002	1 1/4 inch	1/2 "sq.	31.46/M	28.60/M
WKH – 003	1 1/2 inch	5/8 "sq.	32.34/M	29.60/M
WKH – 004	3/4 inch	5/8 "sq.	32.67/M	29.92/M
WKH – 005	2 inch	5/8 "sq.	33.33/M	31.24/M
WKH – 134	3 inch	3/4 "sq.	58.74/M	51.37/M
WKH – 173	" Stub	5/8 "sq.	30.91/M	27.83/M

**Material: Stocked in clear (P.E.T.G.)**



Tel: 603.595.7790 Fax: 603.595.1451

**1/4 INCH FLAT GLUE-ON HOOKS**



<b>PART NUMBER</b>	<b>LENGTH (L)</b>	<b>BASE (B)</b>	<b>1,000-</b>	
			<b>9,999</b>	<b>10,000+</b>
WKH – 006	1 1/2 inch	5/8" sq.	\$35.09/M	\$32.12/M
WKH – 007	2 inch	5/8" sq.	\$35.75/M	\$32.67/M

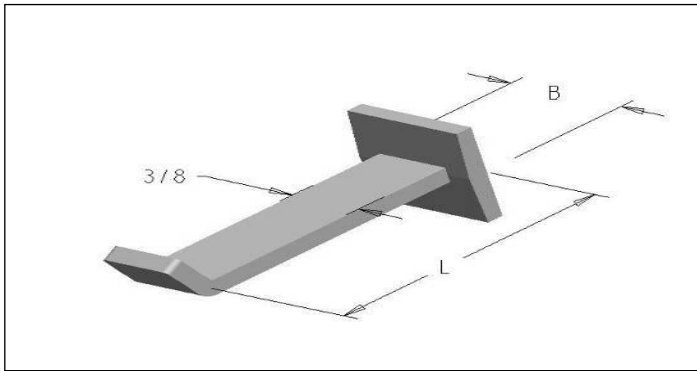
**MATERIAL: Stocked in clear (P.E.T.G.)**



# WK HILLQUIST INC.

Tel: 603.595.7790 Fax: 603.595.1451

## 3/8 INCH FLAT GLUE-ON HOOKS



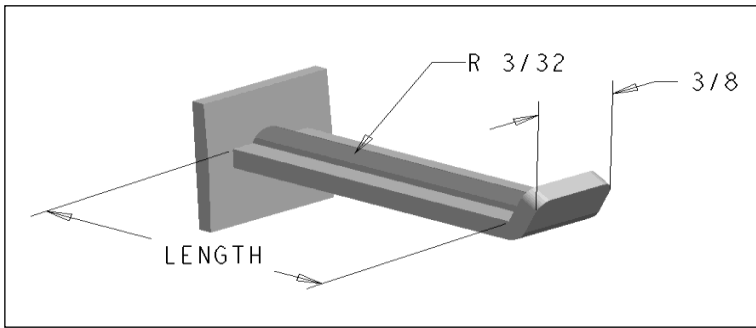
<b>PART NUMBER</b>	<b>LENGTH (L)</b>	<b>BASE (B)</b>	<b>1,000-</b>	
			<b>9,999</b>	<b>10,000+</b>
WKH – 008	1 1/2 inch	5/8 "sq.	35.75/M	32.67/M
WKH – 009	2 inch	5/8 "sq.	36.96/M	33.55/M
WKH – 010	2 1/2 inch	3/4 "sq.	38.72/M	34.54/M
WKH – 011	3 inch	3/4 "sq.	39.60/M	36.63/M

**MATERIAL: Stocked in clear (P.E.T.G.)**



Tel: 603.595.7790 Fax: 603.595.1451

**TOP RIB GLUE-ON HOOKS**



**PART # WHK-204 WKH-203 WKH-016 WKH -165**

Base Size -     5/8 "sq.     5/8 "sq.     5/8 "sq.     3/4 "sq.

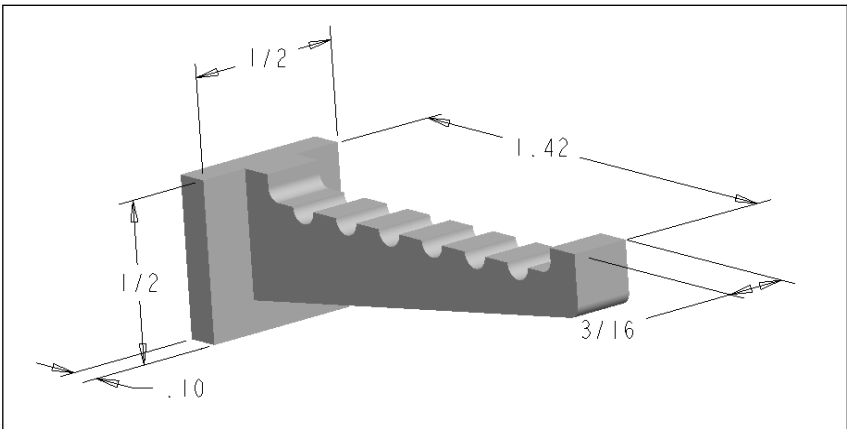
<u>Quantity</u>	<u>1 Inch</u>	<u>1 1/2 Inch</u>	<u>2 Inch</u>	<u>3 Inch</u>
1,000	\$35.75/M	\$49.06/M	\$50.27/M	\$58.74/M
5,000	\$33.88/M	\$44.22/M	\$45.43/M	\$55.11/M
10,000	\$32.45/M	\$41.14/M	\$43.01/M	\$51.48/M
50,000	\$30.91/M	\$36.96/M	\$39.38/M	\$49.06/M
100,000	\$29.37/M	\$33.88/M	\$35.75/M	\$37.95/M

**MATERIAL: Stocked in clear (P.E.T.G.)**

# WK HILLQUIST INC.

Tel: 603.595.7790 Fax: 603.595.1451

## SERRATED HOOKS Part # WKH-038



### Quantity

### 1 1/2 Inch

1,000

\$58.74/M

5,000

\$55.11/M

10,000

\$51.48/M

50,000

\$49.06/M

100,000

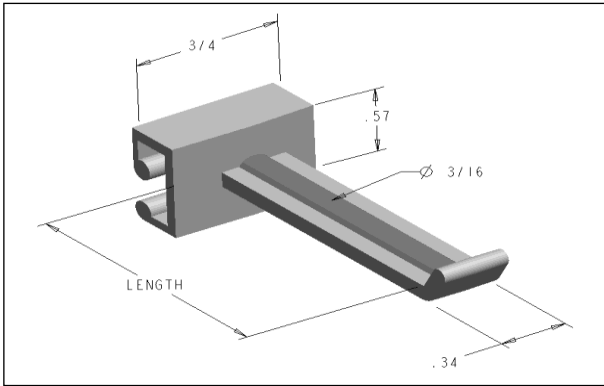
\$41.80/M

**MATERIAL:** Stocked in clear styrene.

# WK HILQUIST INC.

Tel: 603.595.7790 Fax: 603.595.1451

## RIBBED CLIP HOOKS



<b>PART #</b>	<b>WKH-251</b>	<b>WKH-252</b>	<b>WKH-013</b>	<b>WKH-041</b>
<b><u>Quantity</u></b>	<b><u>1/2 Inch</u></b>	<b><u>1 Inch</u></b>	<b><u>1 1/2 Inch</u></b>	<b><u>2 Inch</u></b>
1,000	\$46.90/M	\$52.70/M	\$58.74/M	\$69.00/M
5,000	\$44.22/M	\$48.40/M	\$56.70/M	\$65.34/M
10,000	\$41.14/M	\$46.00/M	\$53.40/M	\$61.71/M
50,000	\$38.20/M	\$41.14/M	\$47.90/M	\$58.10/M
100,000	\$35.10/M	\$38.20/M	\$44.22/M	\$54.50/M

### **WKH-014**

#### **3 Inch**

\$104.06/M

\$101.10/M

\$98.70/M

\$91.41/M

\$76.23/M

### **WKH-015**

#### **4 Inch**

\$107.14/M

\$104.06/M

\$101.10/M

\$93.83/M

\$79.31/M

**MATERIAL: Stocked in clear (P.E.T.G.)**

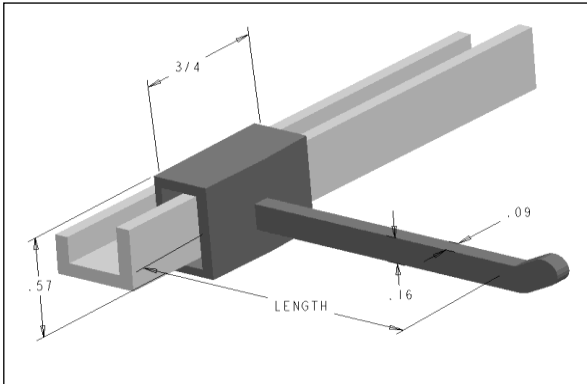
**DESCRIPTION: To be used on our J-Bar stock.**

## **CLIP HOOKS**

# W.K. HILLQUIST INC.

Tel: 603.595.7790 Fax: 603.595.1451

## CLIP HOOKS



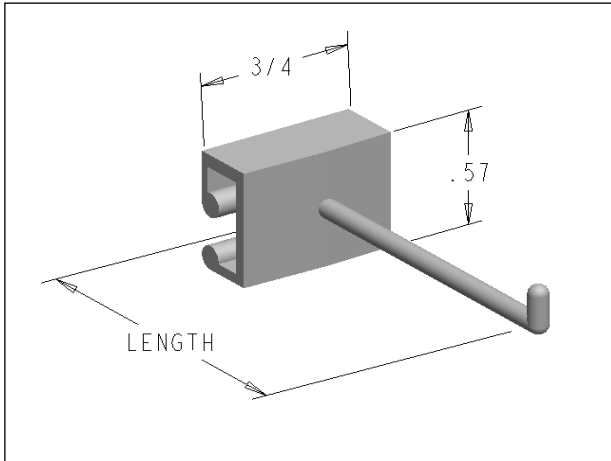
<b>PART #</b>	<b>WKH-019</b>	<b>WKH-020</b>	<b>WKH 021</b>
<b><u>Quantity</u></b>	<b><u>1 Inch</u></b>	<b><u>1 1/4 Inch</u></b>	<b><u>1 1/2 Inch</u></b>
1,000	\$39.38/M	\$54.45/M	\$57.20/M
5,000	\$35.97/M	\$50.49/M	\$53.90/M
10,000	\$35.09/M	\$48.40/M	\$49.94/M
50,000	\$33.55/M	\$43.23/M	\$45.65/M
100,000	\$31.46/M	\$39.60/M	\$42.68/M

**MATERIAL:** Stocked in clear (P.E.T.G.)  
**DESCRIPTION:** To be used on our J-Bar stock.

# WK HILQUIST INC.

Tel: 603.595.7790 Fax: 603.595.1451

## ROUND CLIP HOOKS



<b>PART #</b>	<b>WKH-025</b>	<b>WKH-025C</b>	<b>WKH-199</b>
<b><u>Quantity</u></b>	<b><u>1 1/2 Inch</u></b>	<b><u>2 Inch</u></b>	<b><u>3 Inch</u></b>
1,000	\$66.00/M	\$74.25/M	\$76.23/M
5,000	\$57.75/M	\$62.15/M	\$62.92/M
10,000	\$54.12/M	\$59.62/M	\$59.29/M
50,000	\$50.82/M	\$57.20/M	\$57.53/M
100,000	\$47.19/M	\$52.80/M	\$55.66/M

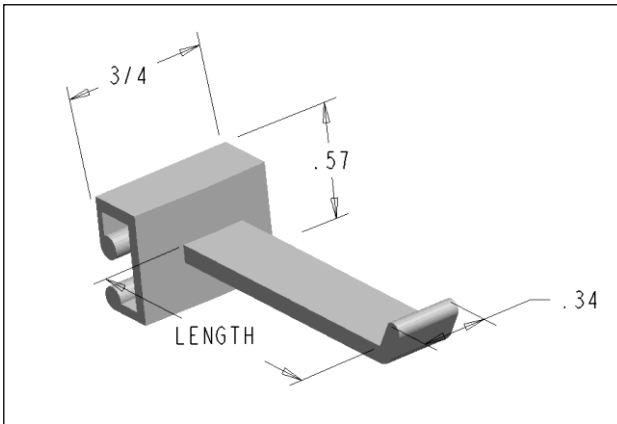
**Please note:** The 3 inch hook has a slight angle at the tip and a rib on the bottom. The 1.5 inch and 2 inch hooks do not.

**MATERIAL:** Stocked in clear (P.E.T.G.)  
**DESCRIPTION:** To be used on our J-Bar stock.

# WK HILLQUIST INC.

Tel: 603.595.7790 Fax: 603.595.1451

## 1 1/2 INCH FLAT CLIP HOOKS Part # WKH-021F



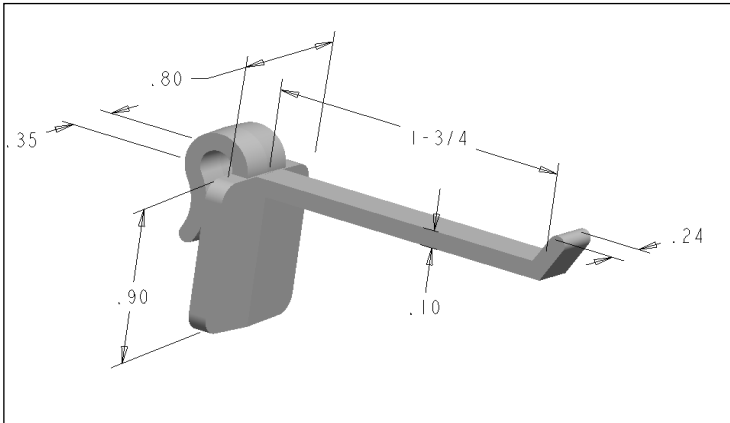
<u>Quantity</u>	<u>Clip Hook</u>
1,000	\$66.00/M
5,000	\$57.75/M
10,000	\$57.20/M
50,000	\$50.82/M
100,000	\$47.19/M

**MATERIAL:** Stocked in Clear P.E.T.G.  
**DESCRIPTION:** To be used on our J-Bar stock.



Tel: 603.595.7790 Fax: 603.595.1451

**1 3/4 INCH CORRUGATED HOOK**  
**Part # WKH-166**



**Quantity**

**Price**

<b>1,000</b>	<b>\$55.66/M</b>
<b>5,000</b>	<b>\$44.22/M</b>
<b>10,000</b>	<b>\$40.60/M</b>
<b>50,000</b>	<b>\$38.72/M</b>
<b>100,000</b>	<b>\$37.51/M</b>

Also available in white: Part# WKH-166W  
Not a stocked color- Minimum quantity may be required.  
Please call for pricing.

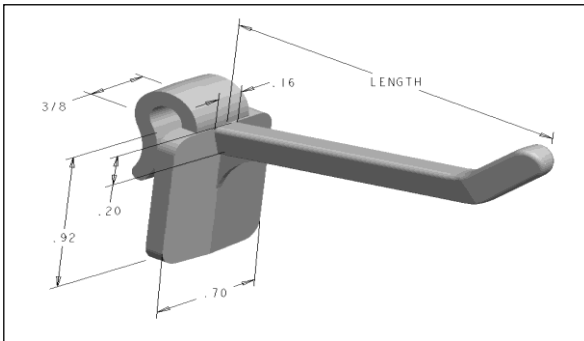
**MATERIAL: Stocked in Clear P.E.T.G.**



# WK HILLQUIST INC.

Tel: 603.595.7790 Fax: 603.595.1451

## CORRUGATED P-SNAP HOOKS



Part # [White]	WKH-260	WKH-261	WKH-262
<u>Quantity</u>	<u>2 Inches</u>	<u>4 Inches</u>	<u>6 Inches</u>
1,000	\$53.20/M	\$58.70/M	\$72.00/M
5,000	\$50.80/M	\$55.10/M	\$64.80/M
10,000	\$46.90/M	\$50.50/M	\$59.30/M
50,000	\$41.15/M	\$43.60/M	\$53.90/M

Also available in Clear or Black: [Minimum Qty. may be required]

Part # [Black H.I.P.S.]	WKH-260B
<u>Quantity</u>	<u>2 Inches</u>
10,000	\$42.62/M
50,000	\$37.40/M
100,000	\$37.30/M

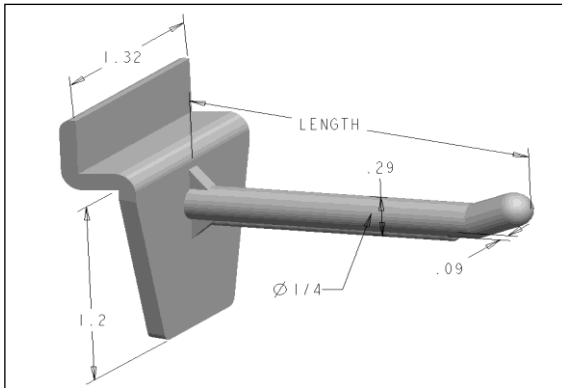
Part # [Clear PETG]	WKH-260C	WKH-263P	WKH-261P	WKH-262P
<u>Quantity</u>	<u>2 Inches</u>	<u>3 Inches</u>	<u>4 Inches</u>	<u>6 Inches</u>
1,000	\$56.90/M	\$62.90/M	\$65.80/M	\$76.45/M
5,000	\$53.90/M	\$52.00/M	\$54.20/M	\$75.79/M
10,000	\$50.30/M	\$46.75/M	\$49.00/M	\$70.29/M
50,000	\$46.60/M	\$44.20/M	\$47.30/M	\$59.30/M
100,000	\$44.80/M	\$43.60/M	\$46.20/M	\$56.00/M



Tel: 603.595.7790 Fax: 603.595.1451

**Material: Stocked In White H.I.P.S.**

**SLATWALL HOOKS**



<u>SIZE</u>	<u>BLACK PART #</u>	<u>WHITE PART #</u>	<u>1,000 pcs.</u>	<u>10,000 pcs.</u>	<u>25,000 pcs.</u>
2"	WKH-216	WKH-212	\$150.04/M	\$142.80/M	\$129.50/M
4"	WKH-217	WKH-213	\$158.51/M	\$151.91/M	\$144.00/M
6"	WKH-218	WKH-214	\$176.70/M	\$161.30/M	\$150.04/M
8"	WKH-219	WKH-215	\$186.34/M	\$170.30/M	\$157.30/M

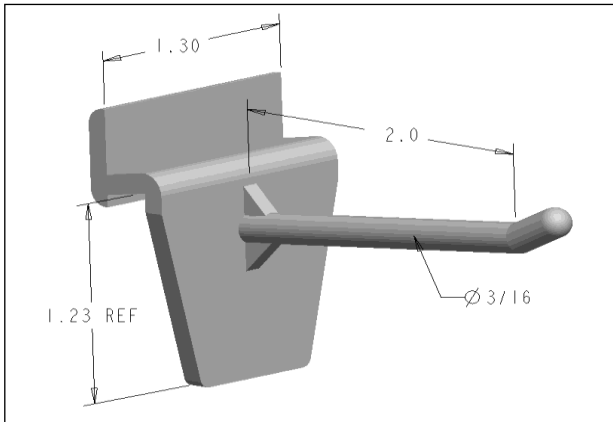
<u>SIZE</u>	<u>CLEAR PART #</u>	<u>1,000 pcs.</u>	<u>10,000 pcs.</u>	<u>25,000 pcs.</u>
2"	WKH-237	\$144.00/M	\$135.52/M	\$122.21/M
4"	WKH-235	\$152.50/M	\$146.41/M	\$137.94/M

**MATERIAL: Glass filled Nylon in black & white.  
Clear stocked in P.E.T.G**

# WK HILLQUIST INC.

Tel: 603.595.7790 Fax: 603.595.1451

## CUSTOM-SLATWALL HOOK WITH LOCK- IN FEATURE



<u>LENGTH</u>	<u>CLEAR PART #</u>	<u>1,000 pcs.</u>	<u>10,000 pcs.</u>	<u>25,000 pcs.</u>	<u>50,000 pcs.</u>
2"	WKH-239A	\$234.74/M	\$226.90/M	\$220.22/M	\$205.70/M

<u>LENGTH</u>	<u>BLACK PART #</u>				
2"	WKH-240	\$240.24/M	\$234.74/M	\$227.50/M	\$220.22/M

<u>LENGTH</u>	<u>CLEAR PART #</u>	<u>Min. order required-please call for qty/pricing.</u>
4"	WKH-235C	Not a stocked item

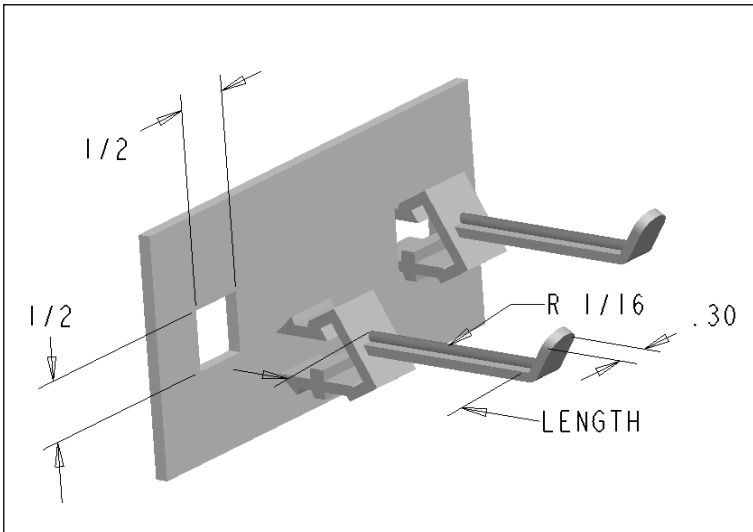
<u>LENGTH</u>	<u>CLEAR PART #</u>	<u>Min. order required-please call for qty/pricing.</u>
6"	WKH-218C	Not a stocked item

**MATERIAL: stocked in P.E.T.G.  
Black stocked in glass filled Nylon.**

# WK HILLQUIST INC.

Tel: 603.595.7790 Fax: 603.595.1451

## SNAP IN HOOKS



**PART # WKH-022 WKH-241 WKH-023 WKH-024**

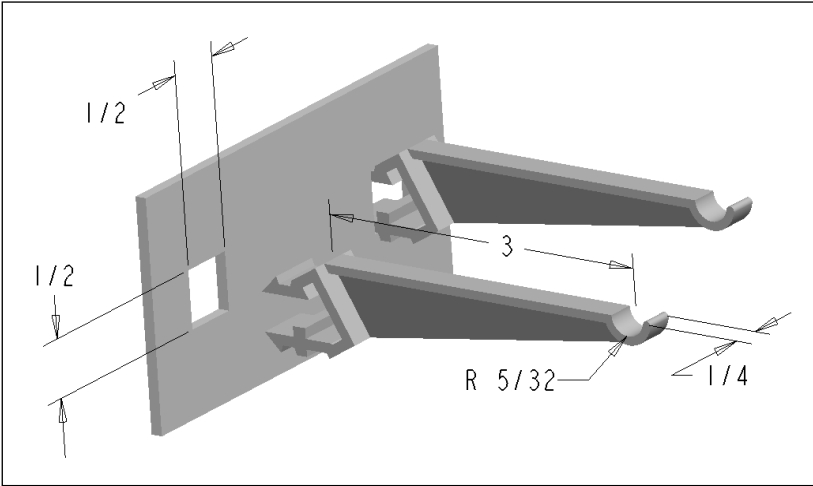
<u>Quantity</u>	<u>1 1/2 Inch</u>	<u>2 Inch</u>	<u>3 Inch</u>	<u>4 Inch</u>
1,000	\$76.23/M	\$79.90/M	\$82.30/M	\$83.50/M
5,000	\$69.00/M	\$72.60/M	\$75.00/M	\$76.23/M
10,000	\$61.70/M	\$62.92/M	\$65.34/M	\$66.60/M
50,000	\$50.82/M	\$55.70/M	\$61.70/M	\$62.92/M
100,000	\$44.80/M	\$52.00/M	\$58.10/M	\$59.30/M

**MATERIAL:** Stocked in clear polyester.  
**DESCRIPTION:** Snaps into. 100 thick panel.

# WK HILLQUIST INC.

Tel: 603.595.7790 Fax: 603.595.1451

## 3 INCH SUNGLASS HOOKS



<b>PART #</b>	<b>WKH-037A</b>	<b>WKH-230</b>
<b><u>Quantity</u></b>	<b><u>P.E.T.G.</u></b>	<b><u>Lexan</u></b>
1,000	\$77.44/M	\$164.00/M
5,000	\$73.70/M	\$157.30/M
10,000	\$68.97/M	\$148.83/M
50,000	\$65.34/M	\$145.20/M
100,000	\$60.50/M	\$140.36/M

**MATERIAL:** Stocked in clear (P.E.T.G.) and polycarbonate.

**DESCRIPTION:** Snaps into .100 thick panel.

**PART # WKH-259**

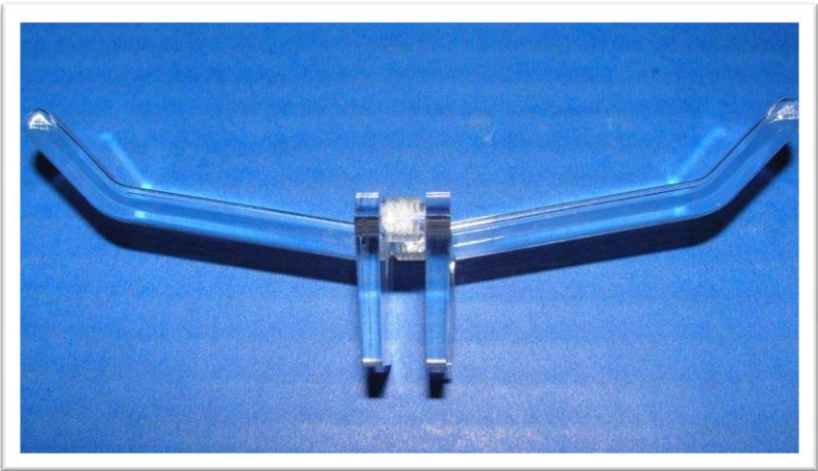
# W.K. HILQUIST INC.

Tel: 603.595.7790 Fax: 603.595.1451

**NEW**

**1 ½" DOUBLE-SIDED PEGBOARD HOOK  
FOR DUAL-SIDED DISPLAYS!**

**SOLD "PER SET"**



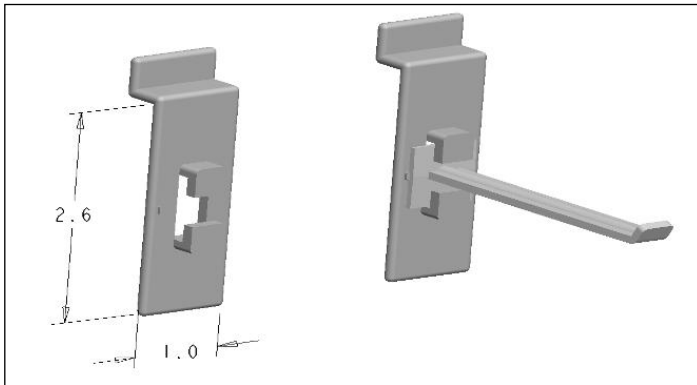
**CUSTOM ORDER ONLY- PLEASE CALL FOR PRICING AND  
MINIMUM QUANTITY.**

**Material: Stocked clear P.E.T.G.  
One set equals 2 single hooks.**

# WK HILLQUIST INC.

Tel: 603.595.7790 Fax: 603.595.1451

## SLATWALL HOOK HOLDER PART # WKH-195



<u>Quantity</u>	<u>Price</u>
Under 1,000	\$0.24/ea.
1,000	\$0.21/ea.
5,000	\$0.19/ea.
10,000	\$0.18 /ea.
25,000	\$0.16/ea.
50,000	\$0.15/ea.

### **Holds the following hooks:**

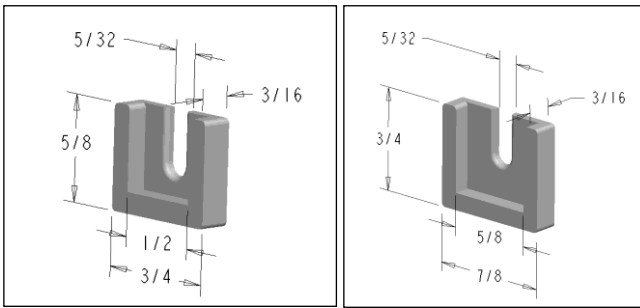
- WKH-010 2 1/2" X 3/8" flat hook
- WKH-011 3" X 3/8" flat hook
- WKH-134 3" round hook
- WKH-165 3" top rib hook

**MATERIAL: Stocked in clear P.E.T.G.**

# W.K. HILQUIST INC.

Tel: 603.595.7790 Fax: 603.595.1451

## ROUND HOOK HOLDERS WKH-178                      WKH-181



Hook holders designed for W.K. Hillquist Glue-On Hooks.

### WKH-178

#### 1/2" Round Hook Holder

**Holds the following hooks:**

- WKH-035     1/2 inch round
- WKH-001     1 inch round
- WKH-002     1 1/4 inch round

### WKH-181

#### 5/8" Round Hook Holder

**Holds the following hooks:**

- WKH-003     1 1/2" round
- WKH-004     1 3/4" round
- WKH-005     2" round
- WKH-035     1/2" round
- WKH-173     Stub hooks

### PRICE LIST

<u>Minimum</u>	<u>Without Hooks</u>	<u>With Hooks</u>
1,000	\$47.30/M	\$44.77/M
5,000	\$47.19/M	\$39.93/M
10,000	\$44.77/M	\$37.50/M
25,000	\$43.56/M	\$36.30/M
50,000	\$41.14/M	\$33.88/M
100,000	\$39.93/M	\$32.67/M

**MATERIAL: Stocked in clear acrylic.**

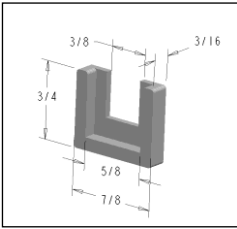


# W.K. HILLQUIST INC.

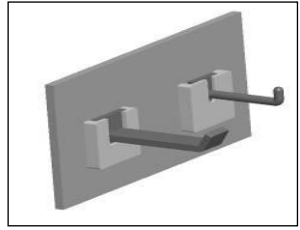
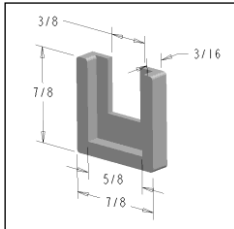
Tel: 603.595.7790 Fax: 603.595.1451

## FLAT HOOK HOLDERS

### WKH-183



### WKH-182



### WKH-183

#### 3/4" Flat Hook Holder

**Holds the following hooks:**

- WKH-010 2 1/2 X 3/8" flat
- WKH-011 3 X 3/8" flat
- WKH-134 3" round
- WKH-165 3" Top Rib

### WKH-182

#### 5/8" Flat Hook Holder

**Holds the following hooks:**

- WKH-006 1 1/2" X 1/4" flat
- WKH-008 1 1/2 X 3/8" flat
- WKH-007 2 X 1/4" flat
- WKH-009 2 X 3/8" flat
- WKH-016 2" Top Rib
- WKH-204 1 1/2" Top Rib
- WKH-203 2" Top Rib

## PRICE LIST

### Minimum

- 1,000
- 5,000
- 10,000
- 25,000
- 50,000
- 100,000

### Without Hooks

- \$47.30/M
- \$47.19/M
- \$44.77/M
- \$43.56/M
- \$41.14/M
- \$39.93/M

### With Hooks

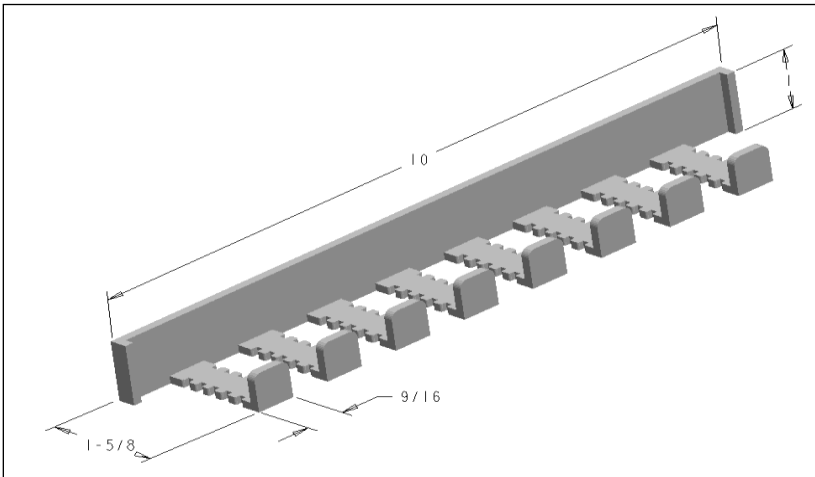
- \$44.77/M
- \$39.93/M
- \$37.50/M
- \$36.30/M
- \$33.88/M
- \$32.67/M

**MATERIAL: Stocked in clear acrylic.**

# WK HILQUIST INC.

Tel: 603.595.7790 Fax: 603.595.1451

## 8 HOOK UNIT Part# WKH-039



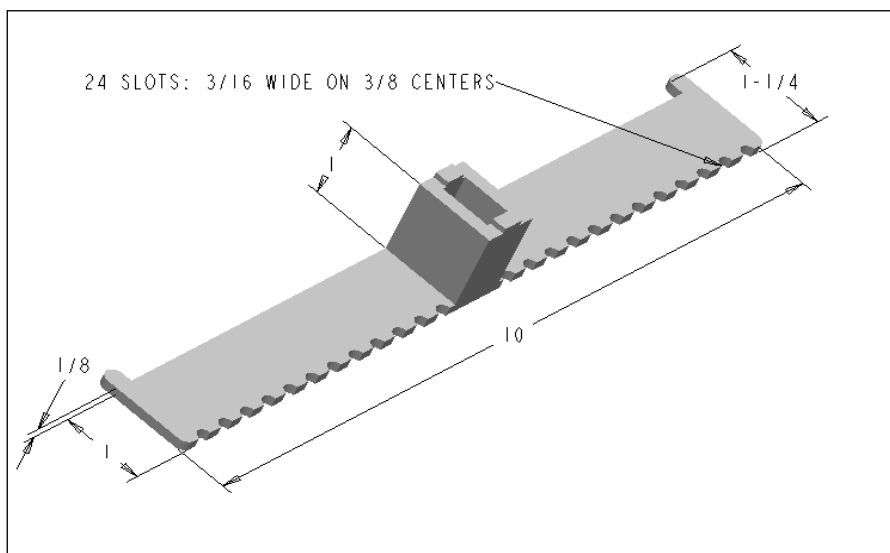
<u>Quantity</u>	<u>Price</u>
50	.88 ea.
200	.80 ea.
500	.74 ea.
1,000	.65 ea.
5,000	.59 ea.

**MATERIAL: Stocked in clear styrene.**

# WK HILLQUIST INC.

Tel: 603.595.7790 Fax: 603.595.1451

## NECKLACE HOLDER Part # WKH-042



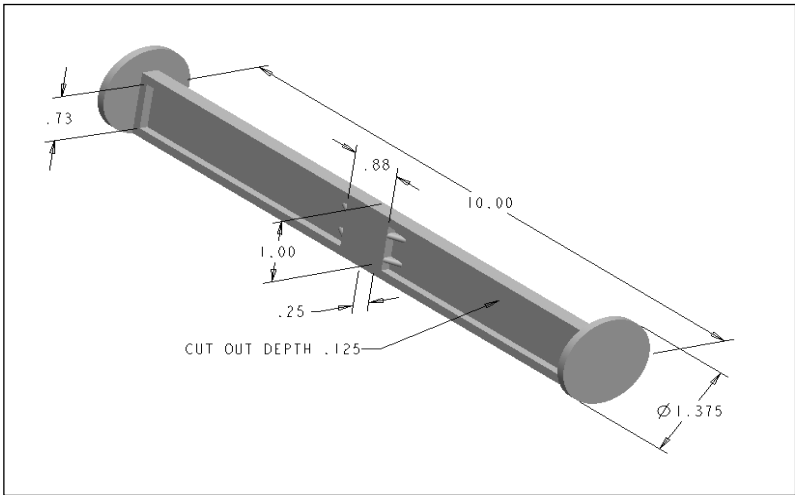
<u>Quantity</u>	<u>Price</u>
100	\$.59 ea.
500	\$.50 ea
1,000	\$.43 ea
5,000	\$.36 ea
10,000	\$.31 ea

**MATERIAL:** Stocked in clear styrene.

# WK HILQUIST INC.

Tel: 603.595.7790 Fax: 603.595.1451

**BRACELET HOLDER**  
**Part # WKH-050 (Round)**  
**Part # WKH-050-O (Oval)**



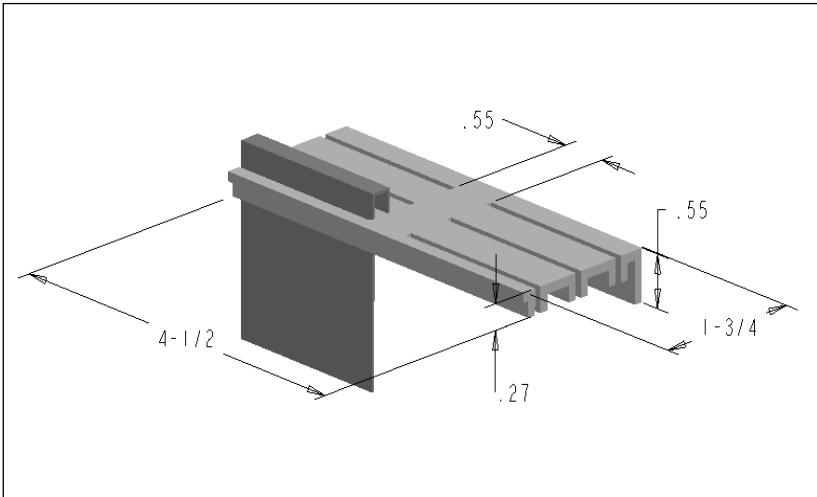
<u>Quantity</u>	<u>Price</u>	<u>Description:</u>
Less than 1,000	.79 ea	Just glue extended square rod to center of holder and to your display. Comes in clear acrylic.
1,000	.76 ea	
5,000	.74 ea	
10,000	.70 ea	

**MATERIAL: Stocked in clear acrylic.**

# WK HILLQUIST INC.

Tel: 603.595.7790 Fax: 603.595.1451

## **EARRING CARD HANGER** **Part # WKH-137**



<u>Quantity</u>	<u>Price</u>
1,000	.33 ea.
5,000	.29 ea.
10,000	.25 ea.
25,000	.23 ea.

**MATERIAL: Stocked in clear styrene.**



Tel: 603.595.7790 Fax: 603.595.1451

**EARRING CARD LADDER**

**WKH-046** 6 Bar Ladder, Styrene (125/Box)

**WKH-047** 6 Bar Ladder, Lexan (125/Box)

**WKH-048** 9 Bar Ladder, Styrene (90/Box)

**WKH-049** 9 Bar Ladder, Lexan (90/Box)

**(Sold by carton only)**

<u>Quantity</u>	<u>Styrene</u>	<u>Lexan</u>
90-999	\$1.33	\$1.69
1,000 & up	\$1.03	\$1.57

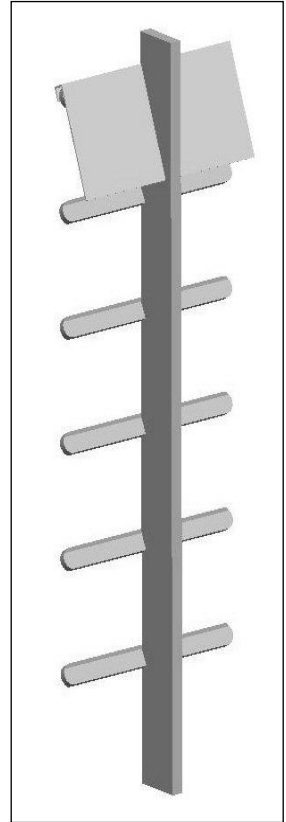
**MATERIAL:** Clear Styrene or Lexan.

**3" X 3" EARRING CARD LADDER**

**Part # WKH-045**

**WKH-045L –Lexan**

<u>Quantity</u>	<u>Styrene</u>	<u>Lexan</u>
90-999	\$1.33	\$1.69
1,000 & Up	\$1.03	\$1.57



**DESCRIPTION:** To Hold 3"x 3" Cards.

**MATERIAL:** Ladders are molded in clear Styrene or Lexan.

# WK HILLQUIST INC.

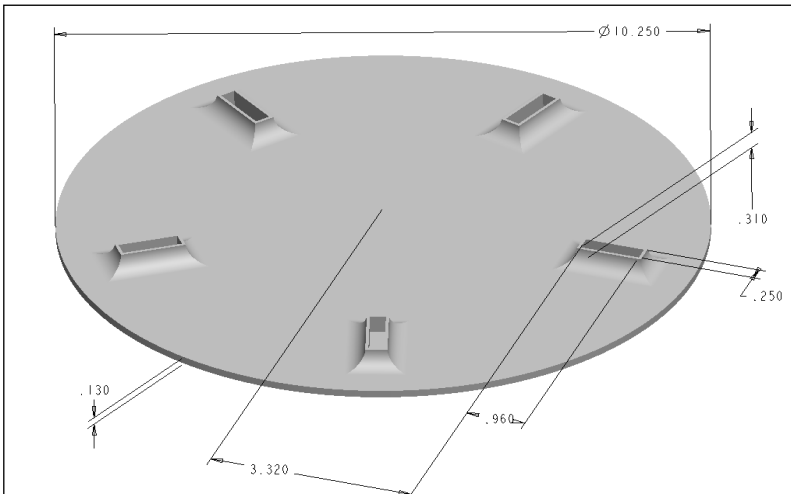
Tel: 603.595.7790 Fax: 603.595.1451

## 5-PRONG LADDER HOLDER

Part # WKH-054

## 4-PRONG LADDER HOLDER

Part # WKH-LP



### Quantity

Less than 1,000

1,000

5,000

10,000 and Up

### Prices

\$1.03 ea.

\$0.99 ea.

\$0.98 ea.

\$0.96 ea.

### Description: To be used with

Ladders, simply glue ladders in holder for top & bottom of display.

Sold in case quantities only (50/per case).

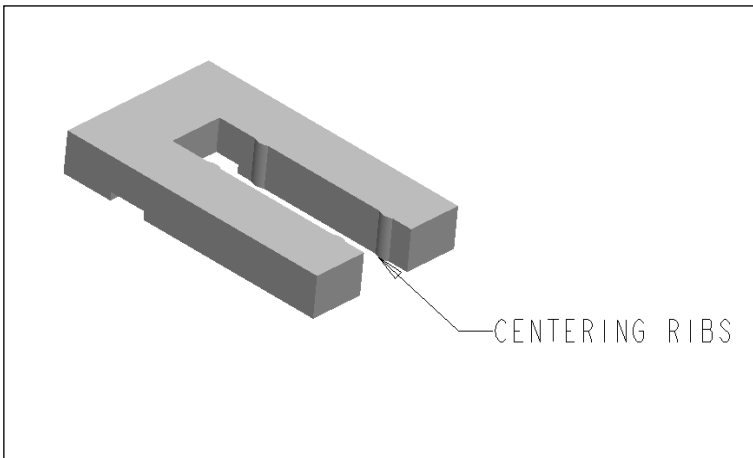
**Sold in clear, black or white styrene.**

**MATERIAL: Stocked in clear styrene.**



Tel: 603.595.7790 Fax: 603.595.1451

**LADDER CLEATS**  
**Part # WKH-051 (Clear), WKH-051 BK (Black)**



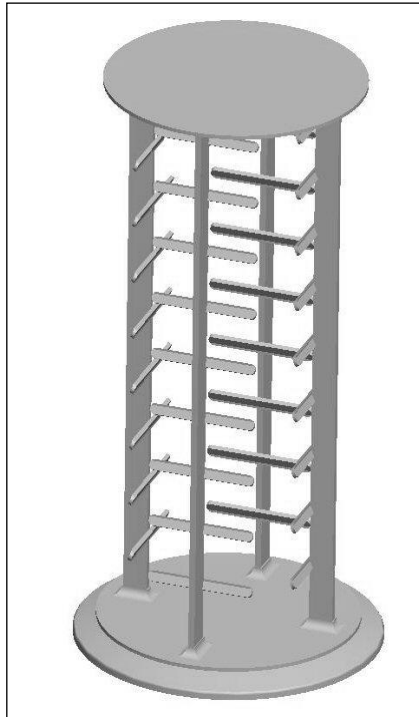
<u>Quantity</u>	<u>Price</u>
1,000	\$59.40/M
2,000	\$50.82/M
5,000	\$47.20/M
10,000	\$44.77/M

**DESCRIPTION: Glue cleats to your base, and attach ladder.**



# WK HILLQUIST INC.

Tel: 603.595.7790 Fax: 603.595.1451



An example of Jewelry Display Components Assembly.

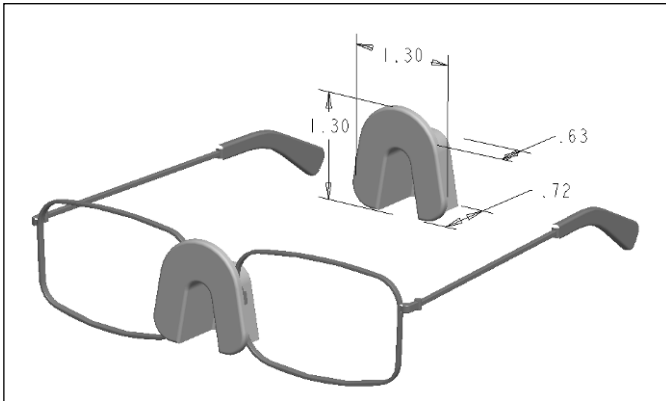
- 1- #WKH-075
- 2- #WKH- LP
- 4- #WKH-048

- T12X9 Turntable
- 4 Prong Ladder Plates
- 9 Bar Earring Card Ladder

# WK HILQUIST INC.

Tel: 603.595.7790 Fax: 603.595.1451

**NOSE PIECE**  
**Part # WKH-180**  
**(Glues flat, not for acrylic rod)**



<u>Quantity</u>	<u>Styrene</u>
1-99	\$.36 ea.
100	\$.33 ea.
500	\$.32 ea.
1,000	\$.31 ea.
5,000	\$.24 ea.
10,000	\$.22 ea.
25,000	\$.20 ea.
50,000	\$.18 ea.
100,000	\$.16 ea.

**MATERIAL: Available in Styrene only. No longer available in Acrylic.**



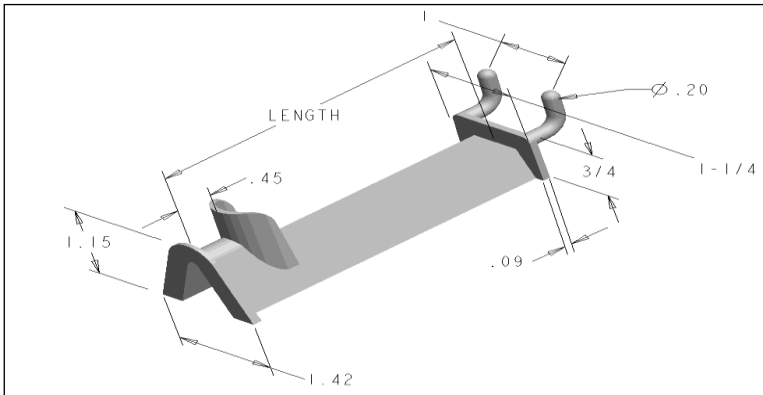
Tel: 603.595.7790 Fax: 603.595.1451

**UNIVERSAL EYEGLASS HOLDERS**

**Part #'s WKH-071 [B] [C] [D] [E]**

**Now in New longer lengths!**

**Fits Pegboard & Slatwall**



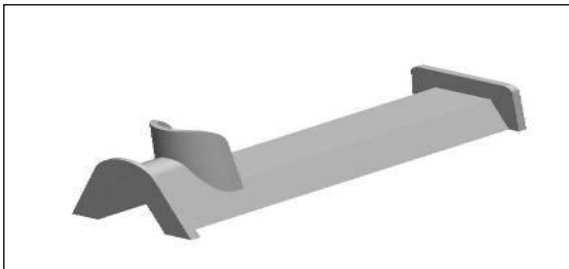
<b>PART#</b>	<b>WKH-071</b>	<b>WKH-071B</b>	<b>WKH-071C</b>	<b>WKH-071D</b>	<b>WKH-071E</b>
<b>Size</b>	1 5/8 Inch	2 1/2 Inch	3 Inch	3 1/2 Inch	4 Inch
<b>Quantity</b>					
<b>100</b>	\$1.44	\$1.28	\$1.33	\$1.40	\$1.45
<b>500</b>	\$1.10	\$1.09	\$1.16	\$1.21	\$1.28
<b>1,000</b>	\$0.59	\$0.97	\$1.03	\$1.09	\$1.16
<b>5,000</b>	\$0.51	\$0.73	\$0.88	\$0.97	\$1.09
<b>10,000</b>	\$0.46	\$0.68	\$0.81	\$0.92	\$1.05
<b>25,000</b>	\$0.41	\$0.62	\$0.74	\$0.86	\$0.97
<b>50,000</b>	\$0.39	\$0.59	\$0.72	\$0.84	\$0.96
<b>100,000</b>	\$0.35	\$0.56	\$0.61	\$0.79	\$0.92

**MATERIAL: Stocked in Styrene. Also Available in Acrylic  
Please call for pricing. Priced per unit.**



Tel: 603.595.7790 Fax: 603.595.1451

**UNIVERSAL EYEGLASS HOLDERS, Glue-on Application  
Part # WKH-194 Styrene/ WKH-205 Acrylic**



**Styrene**

<b>PART #</b>	<b>WKH-194</b>	<b>WKH-194B</b>	<b>WKH-194C</b>	<b>WKH-194D</b>	<b>WKH-194E</b>
<b>Size</b>	<b>1 5/8 Inch</b>	<b>2 1/2 Inch</b>	<b>3 Inch</b>	<b>3 1/2 Inch</b>	<b>4 Inch</b>
<b>Quantity</b>					
<b>100</b>	\$1.44	\$1.28	\$1.33	\$1.40	\$1.45
<b>500</b>	\$1.10	\$1.09	\$1.16	\$1.21	\$1.28
<b>1,000</b>	\$0.59	\$0.97	\$1.03	\$1.09	\$1.16
<b>5,000</b>	\$0.51	\$0.73	\$0.88	\$0.97	\$1.09
<b>10,000</b>	\$0.46	\$0.68	\$0.81	\$0.92	\$1.05
<b>25,000</b>	\$0.41	\$0.62	\$0.74	\$0.86	\$0.97
<b>50,000</b>	\$0.39	\$0.59	\$0.72	\$0.84	\$0.96
<b>100,000</b>	\$0.35	\$0.56	\$0.61	\$0.79	\$0.92

**Acrylic**

**1,000 piece minimum on acrylic orders**

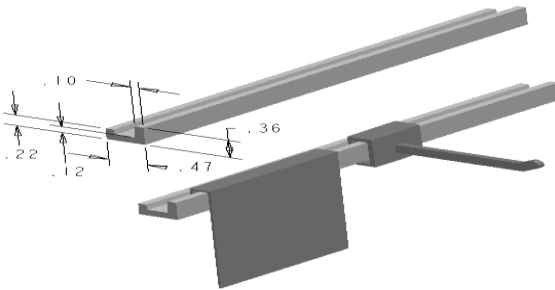
<b>PART #</b>	<b>WKH-205</b>	<b>WKH-205A</b>	<b>WKH-205B</b>	<b>WKH-205C</b>	<b>WKH-205D</b>
<b>Size</b>	<b>1 5/8 Inch</b>	<b>2 1/2 Inch</b>	<b>3 Inch</b>	<b>3 1/2 Inch</b>	<b>4 Inch</b>
<b>Quantity</b>					
<b>1,000</b>	\$0.87	\$1.21	\$1.37	\$1.43	\$1.49
<b>5,000</b>	\$0.63	\$0.99	\$1.16	\$1.27	\$1.38
<b>10,000</b>	\$0.58	\$0.92	\$1.08	\$1.19	\$1.30
<b>25,000</b>	\$0.55	\$0.86	\$1.01	\$1.12	\$1.23
<b>50,000</b>	\$0.52	\$0.83	\$0.98	\$1.08	\$1.19

**MATERIAL: Stocked in Styrene. Acrylic made to order -not a stocked item.**

# WK HILLQUIST INC.

Tel: 603.595.7790 Fax: 603.595.1451

## INJECTION MOLDED J-BAR



<u>PART NUMBER</u>	<u>LENGTH</u>	<u>1,000 pc. price</u>	<u>5,000 pc. price</u>
WKH-058	4 inch	.08 ea.	.07 ea.
WKH-060	6 inch	.10 ea.	.09 ea.
WKH-062	8 inch	.12 ea.	.11 ea.
WKH-064	10 inch	.15 ea.	.14 ea.
WKH-161	12 inch	.19 ea.	.16 ea.

### ACRYLIC

WKH-058	4 inch	.16 ea.	.14 ea.
WKH-060A	6 inch	.20 ea.	.18 ea.
WKH-062A	8 inch	.24 ea.	.22 ea.
WKH-236	10 inch	.30 ea.	.28 ea.
WKH-161A	12 inch	.38 ea.	.32 ea.

### ADVANTAGES:

1. Can be used for earring cards or with our Clip hooks.
2. Save labor cost with no cutting.

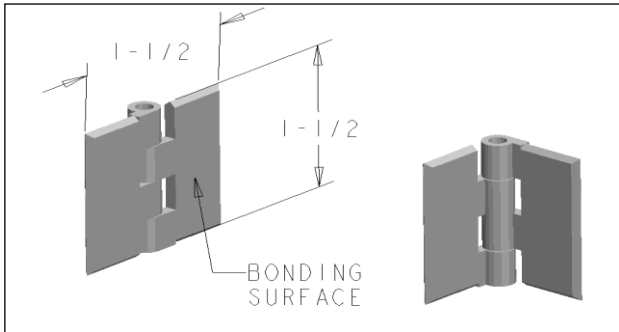
**Note:** Also available in black or white (styrene) min. order of 1,000 required. Please call for pricing and lead-time.



Tel: 603.595.7790 Fax: 603.595.1451

**MATERIAL:** Stocked in clear styrene.

**PLASTIC HINGE  
Part # WKH-043**



**NEW STRONGER MATERIAL**

<u>Quantity</u>	<u>Price</u>
<b>100 pair</b>	<b>\$0.88 /per pair</b>
<b>500 pair</b>	<b>\$0.75 /per pair</b>
<b>1,000 pair</b>	<b>\$0.73 /per pair</b>
<b>2,000 pair</b>	<b>\$0.70 /per pair</b>
<b>5,000 pair</b>	<b>\$0.69 /per pair</b>
<b>10,000 pair</b>	<b>\$0.63 /per pair</b>

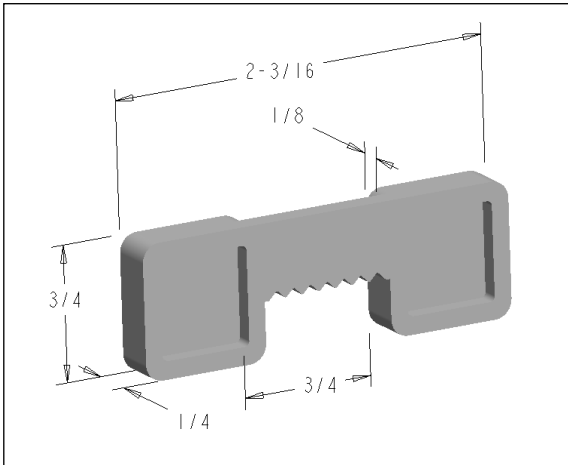
**MATERIAL:** Stocked in clear impact acrylic. Can also be purchased in White or Black (H.I.P.S.) Colored Hinges are NOT stocked and may require a minimum purchase.

**DESCRIPTION:** To be bonded onto plastic display case.

# W.K. HILLQUIST INC.

Tel: 603.595.7790 Fax: 603.595.1451

## WALL HANGER Part # WKH-167



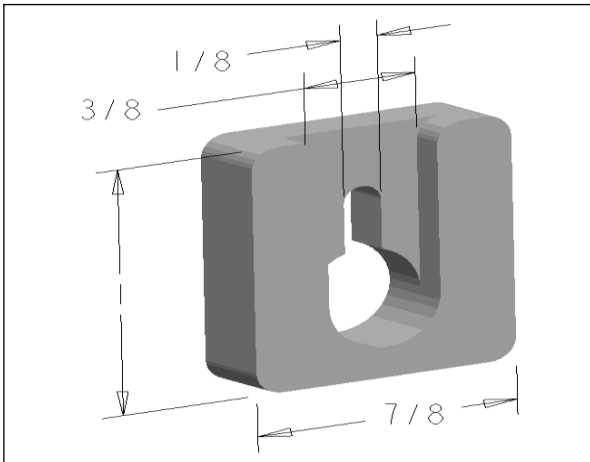
<u>Quantity</u>	<u>Price</u>
Under 100	\$.88 ea.
100	\$.65 ea.
500	\$.58 ea.
1,000	\$.51 ea.
5,000	\$.47 ea.

**MATERIAL:** Stocked in clear acrylic.



Tel: 603.595.7790 Fax: 603.595.1451

**KEYHOLE ATTACHMENT**  
**Part # WKH-057**



<u>Quantity</u>	<u>Price</u>
Under 100	\$.76 ea.
100	\$.47 ea.
500	\$.40 ea.
1,000	\$.36 ea.
5,000	\$.33 ea.

**MATERIAL: Stocked in clear acrylic.**

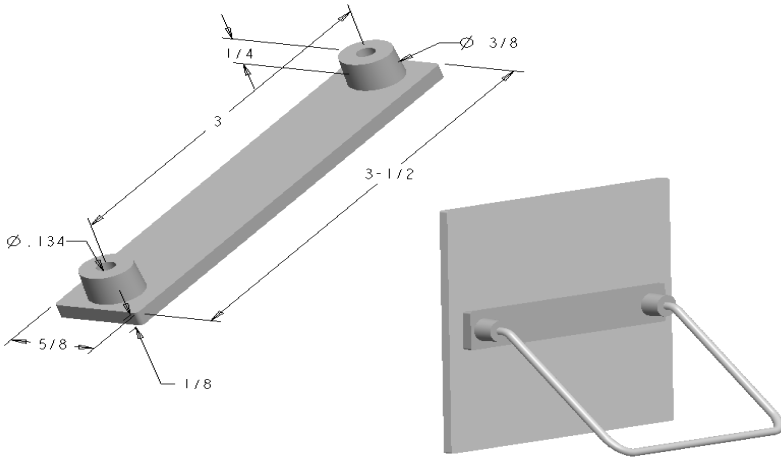


# W.K. HILQUIST INC.

Tel: 603.595.7790 Fax: 603.595.1451

## WIRE BRACKET Part # WKH-040

To purchase the wire for this bracket:  
Call Eastern Wire (RI) at (401) 490-3227



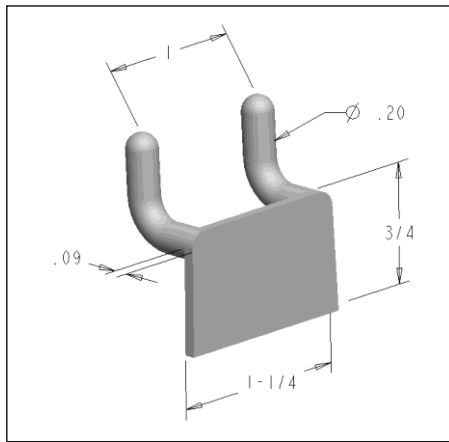
<u>Quantity</u>	<u>Price</u>
1,000	\$54.45/M
5,000	\$50.82/M
10,000	\$48.40/M
50,000	\$45.98/M
100,000	\$44.22/M

**MATERIAL: Stocked in clear styrene.**  
**PLEASE NOTE: Wire not supplied by W.K. Hillquist, Inc.**

# WK HILLQUIST INC.

Tel: 603.595.7790 Fax: 603.595.1451

## PEGBOARD/SLATWALL BACKBLATE



PART#	WKH-210	WKH-211
<u>Quantity</u>	<u>Styrene</u>	<u>Acrylic</u>
500	\$ .31 ea.	\$ .36 ea.
1,000	\$ .23 ea.	\$ .31 ea.
5,000	\$ .21 ea.	\$ .28 ea.
10,000	\$ .19 ea.	\$ .25 ea.
25,000	\$ .15 ea.	\$ .23 ea.

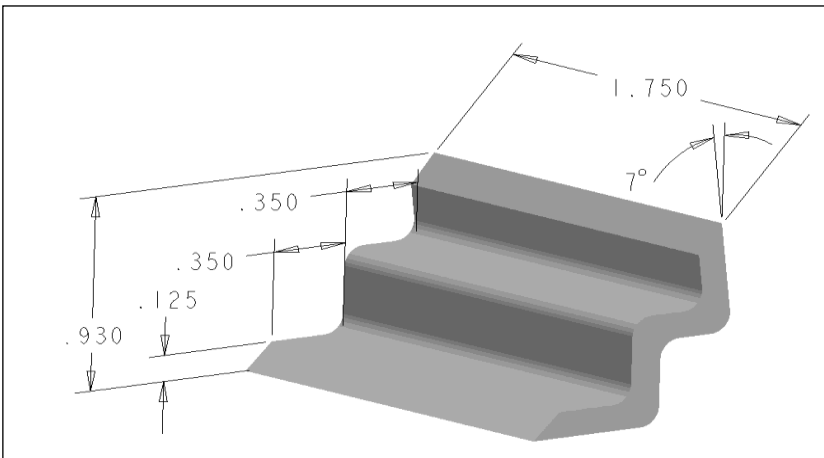
**MATERIAL:** Available in styrene and acrylic.



Tel: 603.595.7790 Fax: 603.595.1451

## SLATWALL BRACKET

Part # WKH-056



### Quantity

1-999  
1,000  
5,000  
10,000

### Price

\$.15 ea.  
\$.13 ea.  
\$.12 ea.  
\$.11 ea.

**MATERIAL:** Clear high impact acrylic.

**DESCRIPTION:** To be used in making shelves for slat wall.



Tel: 603.595.7790 Fax: 603.595.1451

## **NOTICE REGARDING PRODUCT LIABILITY**

In the event that a W.K. Hillquist product is, or becomes legitimately defective, we will be happy to replace our product, no questions asked. However, please note that our product liability ends with the replacement of our product only. We will not issue credit for the defective product, nor will we reimburse for any other damaged products that may have been used on that same display.

Please contact WK Hillquist as soon as you suspect the product may be defective. We will need a sample sent back to us so we can make the final determination as to whether or not our product is functioning properly.



Tel: 603.595.7790 Fax: 603.595.1451

## **NOTICE REGARDING BREAKAGE**

Goods shipped by W.K. Hillquist, Inc. were delivered to the carrier in good condition. They were packed with great care by experienced packers using approved packaging methods. Carriers are responsible for breakage in transit.

When any damage occurs in transit, the following steps must be followed:

1. Sign the delivery with a note that carton shows sign of abuse
2. Notify us immediately and include copy of delivery receipt from carrier with the note that cartons have been received abused.
3. Hold original carton and merchandise for inspection by carrier's inspector. The inspector will start the claims procedures.
4. Call the trucking company or U.P.S. and ask for an inspector to come to your place of business. The driver will be able to give you the phone number to call.

We are willing to assist you in every possible manner, but we want you to be aware that if you fail to follow the above steps, your claim cannot be honored by the carrier or by W.K. Hillquist.



Tel: 603.595.7790 Fax: 603.595.1451

**NOTICE REGARDING OUR C.O.D. POLICY  
AND CREDIT HOLD**

Customers falling into these categories that would like to continue doing business with W.K. Hillquist, Inc. will need to abide by the following:

1. All outstanding invoices and/or balances must be paid in full before a new order is placed.
2. Customer is to remain on C.O.D. status for a minimum of six months. Each carton shipped will bear its own C.O.D. label.
3. The customer must place a minimum of six C.O.D orders in that six-month period.
4. After the six month C.O.D. time period, the customer will be extended a Net 30-day terms with a maximum credit limit of \$1,000.00.
5. W.K. Hillquist will continue to monitor the customer account to assure that Net 30-day pay periods are being met.
6. A second infraction with payments exceeding Net 30-days will result in a mandatory permanent C.O.D. status for the remainder of our business relationship.